



# RAV4

Prices, Specifications and Equipment  
November 2020



# Prices



## 2021 RAV4

						CO <sub>2</sub> Emissions <sup>^</sup> g/km	VED Band g/km	VED*	BIK <sup>‡</sup>	Basic	VAT <sup>°</sup>	Delivery & No. Plates	List**	On the Road <sup>§§</sup>
Icon	5-door FWD	Hybrid Petrol	2.5 VVT-i	218 DIN hp	Auto	126	111-130	£165	28%	£25,120.00	£5,024.00	£726.00	£30,870.00	£31,090.00
Design	5-door FWD	Hybrid Petrol	2.5 VVT-i	218 DIN hp	Auto	129	111-130	£165	28%	£26,415.83	£5,283.17	£726.00	£32,425.00	£32,645.00
Design	5-door SUV AWD-i	Hybrid Petrol	2.5 VVT-i	222 DIN hp	Auto	131	131-150	£205	29%	£28,361.67	£5,672.33	£726.00	£34,760.00	£35,020.00
Excel <sup>¶¶</sup>	5-door SUV FWD	Hybrid Petrol	2.5 VVT-i	218 DIN hp	Auto	131	131-150	£205	29%	£28,657.50	£5,731.50	£726.00	£35,115.00	£35,375.00
Excel <sup>¶¶</sup>	5-door SUV AWD-i	Hybrid Petrol	2.5 VVT-i	222 DIN hp	Auto	133	131-150	£205	29%	£30,636.67	£6,127.33	£726.00	£37,490.00	£37,750.00
Dynamic <sup>¶¶</sup>	5-door SUV FWD	Hybrid Petrol	2.5 VVT-i	218 DIN hp	Auto	131	131-150	£205	29%	£29,124.17	£5,824.83	£726.00	£35,675.00	£35,935.00
Dynamic <sup>¶¶</sup>	5-door SUV AWD-i	Hybrid Petrol	2.5 VVT-i	222 DIN hp	Auto	133	131-150	£205	29%	£31,070.00	£6,214.00	£726.00	£38,010.00	£38,270.00
Black Edition <sup>¶¶</sup>	5-door SUV FWD	Hybrid Petrol	2.5 VVT-i	218 DIN hp	Auto	131	131-150	£205	29%	£29,320.00	£5,864.00	£726.00	£35,910.00	£36,170.00
Black Edition <sup>¶¶</sup>	5-door SUV AWD-i	Hybrid Petrol	2.5 VVT-i	222 DIN hp	Auto	133	131-150	£205	29%	£31,265.83	£6,253.17	£726.00	£38,245.00	£38,505.00

AWD – All Wheel Drive FWD – Front Wheel Drive

<sup>^</sup> All CO<sub>2</sub> emissions figures stated in this brochure are sourced from official EU regulated tests. These are provided for comparability purposes and may not reflect your actual driving experience. <sup>\*</sup> VED – First year Vehicle Excise Duty. <sup>‡</sup> BIK – Benefit In Kind company car tax. <sup>°</sup> VAT – At prevailing rate, currently 20%. <sup>\*\*</sup> List price for VED renewal purposes comprises: cost of the vehicle including £700 delivery charge & £26 number plate allowance (all inclusive of VAT). <sup>§§</sup> On the Road price comprises: List price plus 12 months' Vehicle Excise Duty (banding based on CO<sub>2</sub> for Year 1 @ 1st April 2020) & £55 vehicle first registration fee. <sup>¶¶</sup> Excel, Dynamic & Black Edition all have 19" alloys and come with a Tyre Repair Kit (TRK) as standard.

### OPTION PRICES

	Icon	Design	Excel	Dynamic	Black Edition	Exc VAT	VAT	Inc VAT
Toyota Skyview <sup>®</sup> panoramic roof	–	–	○	○	–	£716.67	£143.33	£860.00
JBL <sup>®</sup> Pack: JBL <sup>®</sup> Premium Sound System with 9 speakers including an 8-channel, 800-watt amplifier, 2x tweeters, 4x wide-dispersion speakers, 2x full range speakers and subwoofer & Panoramic View Monitor (PVM)	–	–	○	○	●	£654.17	£130.83	£785.00
Premium Pack: Toyota Skyview <sup>®</sup> panoramic roof *, JBL <sup>®</sup> Premium Sound System with 9 speakers including an 8-channel, 800-watt amplifier, 2x tweeters, 4x wide-dispersion speakers, 2x full range speakers and subwoofer & Panoramic View Monitor (PVM)	–	–	○	○	–	£1,370.83	£274.17	£1,645.00
Pure White paint	○	○	○	–	–	£208.33	£41.67	£250.00
Metallic paint	○	○	○	●	●	£512.50	£102.50	£615.00
Pearlescent paint (White Pearl & Tokyo Red)	○	○	○	–	–	£770.83	£154.17	£925.00
White Pearl Paint on Dynamic grade only	–	–	–	○	–	£258.33	£51.67	£310.00

### CUSTOMISATION

	Icon	Design	Excel	Dynamic	Black Edition	Exc VAT	VAT	Inc VAT
Essential Protection Pack – boot liner, front and rear mud flaps & chrome bumper protection plate	○	○	○	○	○	£207.50	£41.50	£249.00
Protection+ Pack – boot liner, front and rear mud flaps, chrome bumper protection plate & rubber mats	○	○	○	○	○	£249.17	£49.83	£299.00
Side steps: black side steps with chrome detail	○	○	○	○	○	£415.83	£83.17	£499.00
18" alloys: glossy silver	–	○	–	–	–	£582.50	£116.50	£699.00
18" alloys: glossy black	–	○	–	–	–	£582.50	£116.50	£699.00
18" alloys: glossy black machined-face	–	○	–	–	–	£582.50	£116.50	£699.00
Chrome Pack – chrome side sills and rear chrome garnish	○	○	○	○	○	£332.50	£66.50	£399.00
Towing Solutions: fixed 7-pin & 13-pin	○	○	○	○	○	£457.50	£91.50	£549.00
Towing Solutions: detachable 7-pin & 13-pin	○	○	○	○	○	£499.17	£99.83	£599.00
Nextbase Front-facing Dash Camera (Centre Fitment Only)	○	○	○	○	○	£208.33	£41.67	£250.00
Nextbase Front and Rear-facing Dash Camera (Centre Fitment Only)	○	○	○	○	○	£291.67	£58.33	£350.00
Large taxi-screen (Centre Fitment Only)	○	○	○	○	○	£175.00	£35.00	£210.00

● = Standard ○ = Option – = Not available \* When the optional Panoramic Roof is taken, the spare wheel is replaced with a Tyre Repair Kit.

Choice of options and accessories fitted (pre-registration) may affect the official CO<sub>2</sub> figures, car tax and 'On the Road' price.

# Grades



## ICON



### MAIN FEATURES

- 17" silver alloy wheels (5-spoke)
- Toyota Safety Sense inc. Pre-Collision System with Cyclist Detection, Day & Night-time Pedestrian Detection, Full-range Adaptive Cruise Control, Intelligent Adaptive Cruise Control and Lane Trace Assist
- 8" touchscreen with Toyota Touch® 2 media system with Smartphone Integration, including Apple CarPlay™ and Android Auto™, 6 speakers, DAB & Bluetooth® connectivity
- Reversing camera
- Black roof rails
- Dual-zone automatic air conditioning
- Push-button start
- LED automatic headlights
- Black fabric seats
- Electronic parking brake
- Heated, auto-retractable door mirrors
- Rear privacy glass
- eCall emergency call system
- AVAS (Acoustic Vehicle Approach System)

### OPTIONAL FEATURES

- Essential Protection Pack
- Protection+ Pack
- Chrome Pack
- Towing solutions
- Side steps



## DESIGN



### MAIN FEATURES (ADDITIONAL TO ICON)

- 18" silver alloy wheels (5-spoke)
- Toyota Touch® 2 with Go navigation
- Front parking sensors
- Smart Entry
- Power back door

### OPTIONAL FEATURES

- 18" glossy black alloy wheels
- 18" glossy silver alloy wheels
- 18" glossy black machined-face alloy wheels
- Essential Protection Pack
- Protection+ Pack
- Chrome Pack
- Towing solutions
- Side steps



# Grades



## EXCEL



### MAIN FEATURES (ADDITIONAL TO DESIGN)

- 19" silver alloy wheels (10-spoke)
- Leather interior, with heated front seats and power-sliding, height-adjustable driver seat with lumbar support and memory function
- Ambient lighting in cup holder and centre console tray areas
- Blind Spot Monitor (BSM)
- Rear Cross Traffic Alert (RCTA)
- Puddle lights on door mirrors
- Projector LED headlights
- Heated steering wheel and windscreen wiper de-icer
- Headlight cleaner
- Tyre Repair Kit (TRK)

### OPTIONAL FEATURES

- Toyota Skyview® panoramic roof
- JBL® Premium Sound System with Panoramic View Monitor (PVM)
- Essential Protection Pack
- Protection+ Pack
- Chrome Pack
- Towing solutions
- Side steps



## DYNAMIC



### MAIN FEATURES (ADDITIONAL TO DESIGN)

- 19" black painted alloy wheels (10-spoke)
- Black bi-tone roof, rear spoiler, antenna and door mirrors
- Gloss black wheel arches and front and rear bumpers
- Dynamic sport, heated front seats and power-sliding, height-adjustable driver seat with lumbar support and blue stitching
- Ambient lighting in cup holder and centre console tray areas
- Blind Spot Monitor (BSM)
- Rear Cross Traffic Alert (RCTA)
- Puddle lights on door mirrors
- Tyre Repair Kit (TRK)

### OPTIONAL FEATURES

- Toyota Skyview® panoramic roof
- JBL® Premium Sound System with Panoramic View Monitor (PVM)
- Essential Protection Pack
- Protection+ Pack
- Chrome Pack
- Towing solutions
- Side steps



# Grades



## BLACK EDITION



### MAIN FEATURES (ADDITIONAL TO DYNAMIC)

- Only available in Galaxy Black
- JBL® Premium Sound System with 9 speakers
- Panoramic View Monitor (PVM)
- Rear Cross Traffic Alert with Brake Assist (RCTA-B)
- Intelligent front & rear parking sensors with clearance sonar & automatic braking
- Black front and rear under-runs
- Black front grille
- Dynamic sports seats with light grey stitching

### OPTIONAL FEATURES

- Essential Protection Pack
- Protection+ Pack
- Chrome Pack
- Towing solutions
- Side steps



# Specifications



ENVIRONMENTAL PERFORMANCE	2.5 Petrol Hybrid Automatic FWD	2.5 Petrol Hybrid Automatic AWD-i
Fuel economy – combined max WLTP (mpg)	47.9–50.4	47.9–48.7
Fuel grade – recommended	91 or more (octane)	91 or more (octane)
Fuel tank capacity (l)	55	55
CO <sub>2</sub> (WLTP) combined (g/km)	126–132	131–134
Euro class	EURO 6 AG	EURO 6 DG
Carbon Monoxide, CO (mg/km)	155.4	169.2
Hydrocarbons, THC (mg/km)	25.0	17.3
Hydrocarbons, NMHC (mg/km)	21.4	14.3
Nitrogen Oxides, NOx (mg/km)	2.1	2.8
Sound Level Drive by (dB(A))	70	69

**Quoted mpg and CO<sub>2</sub>:** Figures are provided for comparability purposes; only compare fuel consumption and CO<sub>2</sub> figures with other cars tested to the same technical procedures. These figures may not reflect real-life driving results.

All vehicles are certified according to the World Harmonised Light Vehicle Test Procedure (WLTP). CO<sub>2</sub> figures (and hence car tax and recommended 'on the road' prices) may differ from information printed before 1 April 2020, due to a change in the official method of calculation. This date may change, please visit [www.vehicle-certification-agency.gov.uk/fcb/wltp.asp](http://www.vehicle-certification-agency.gov.uk/fcb/wltp.asp) for the latest information.

Please contact your local Toyota Centre for further information.

ENGINE	2.5 Petrol Hybrid Automatic FWD	2.5 Petrol Hybrid Automatic AWD-i
Engine code	A25A-FXS	A25A-FXS
Number of cylinders	4, in line	4, in line
Valve mechanism	16-valve DOHC, VVT-iE (intake), VVT-i (exhaust)	16-valve DOHC, VVT-iE (intake), VVT-i (exhaust)
Fuel injection system	Fuel injection	Fuel injection
Displacement (cc)	2487	2487
Bore x stroke (mm x mm)	87.50 x 103.48	87.50 x 103.48
Compression ratio	14.0:1	14.0:1
Maximum output (kW@rpm)	160 / 163	160 / 163
Maximum output (DIN hp)	218	222
Maximum torque (Nm@rpm)	221 / 3600–5200	221 / 3600–5200
Electric front motor: type	Permanent magnet synchronous motor	Permanent magnet synchronous motor
Electric front motor: maximum output (kW)	48.0	48.0
Electric front motor: maximum torque (Nm)	121.0	121.0
Hybrid vehicle battery: type	Nickel metal hydride	Nickel metal hydride
Hybrid vehicle battery: number of modules	34	34
Hybrid vehicle battery: capacity Ah (hr)	6.5	6.5

TRANSMISSION	2.5 Petrol Hybrid Automatic FWD	2.5 Petrol Hybrid Automatic AWD-i
Transmission type	Automatic	Automatic

\* FWD.

PERFORMANCE	2.5 Petrol Hybrid Automatic FWD	2.5 Petrol Hybrid Automatic AWD-i
Maximum speed (mph)	111	111
Acceleration 0–62 mph (secs)	8.4	8.1
Drag coefficient	0.32	0.32

WEIGHTS & TOWING CAPACITY	Sports Utility Vehicle
Gross vehicle weight – total (kg)	2130* / 2215
Towing capacity with brakes (kg)	800* / 1650
Towing capacity without brakes (kg)	750

SUSPENSION	Sports Utility Vehicle
Front	MacPherson strut
Rear	Double wishbone

BRAKES	Sports Utility Vehicle
Front	Ventilated disc, 2-cylinder
Rear	Ventilated disc, 1-cylinder

INTERIOR DIMENSIONS & LOAD VOLUME	Sports Utility Vehicle
Number of seats	5
Luggage capacity, laden to roof (l)	733
Luggage capacity, rear seats down, laden to roof (l)	1690
Luggage capacity, 5-seat mode, laden to parcel shelf (l)	580
Luggage capacity, 2-seat mode, laden to parcel shelf (l)	1189
Interior length (mm)	1890
Interior width (mm)	1515
Interior height (mm)	1230
Boot capacity, length (mm)	1015
Boot capacity, max width (mm)	1499

EXTERIOR DIMENSIONS	Sports Utility Vehicle
Exterior length (mm)	4600
Exterior width (mm)	1855
Exterior height (mm)	1685
Front tread (mm)	1610
Rear tread (mm)	1640
Front overhang (mm)	925
Rear overhang (mm)	985
Wheelbase (mm)	2690

STEERING	Sports Utility Vehicle
Turning radius – tyre (m)	5.5

# Specifications



## OFF ROAD

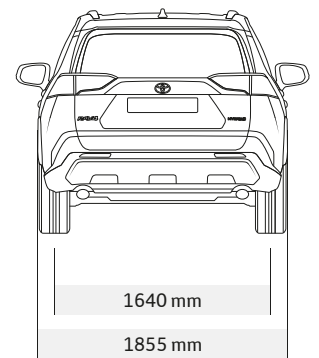
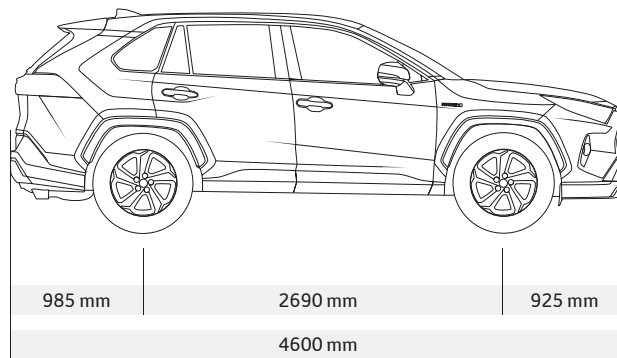
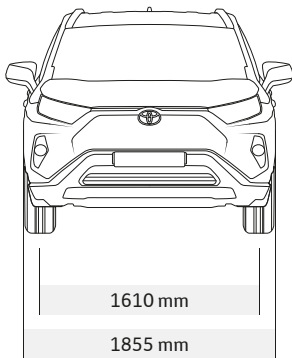
### Sports Utility Vehicle

Min. running ground clearance (mm)	190
Departure angle (°)	20
Ramp break-over angle (°)	15.5
Limit angle of vehicle turnover (°)	52
Climbing angle (°)	18
Wading depth (mm)	500

## ALLOY WHEELS

	Icon	Design	Excel	Dynamic	Black Edition
Tyre Repair Kit (TRK)	–	–	●	●	●
Temporary spare alloy wheel	●	●	–	–	–
17" silver alloy wheels (5-spoke)	●	–	–	–	–
18" silver alloy wheels (5-spoke)	–	●	–	–	–
18" black painted alloy wheels (5-spoke)	–	–	–	–	–
19" black painted alloy wheels (10-spoke)	–	–	–	●	●
19" silver alloy wheels (10-spoke)	–	–	●	–	–

● = Standard    ○ = Option    – = Not available





# Equipment



## EXTERIOR COMFORT

	Icon	Design	Excel	Dynamic	Black Edition
Power-adjustable door mirrors	●	●	●	●	●
Auto wipers	●	●	●	●	●
Power boot	–	●	●	●	●
Boot door release with Push-button	●	●	●	●	●
Remote boot door release on key	●	●	●	●	●
Electric heated door mirrors	●	●	●	●	●
Puddle lights on door mirrors	–	–	●	●	●
Auto-retractable door mirrors	●	●	●	●	●
Auto headlights	●	●	●	●	●
Follow-me-home headlights	●	●	●	●	●
Remote door lock	●	●	●	●	●
Anti-jam protection on panoramic roof	–	–	○	○	–
Power roof opening	–	–	○	○	–
Toyota Skyview® panoramic roof	–	–	○	○	–
Push-button start	●	–	–	–	–
Smart Entry & Push-button start	–	●	●	●	●

## EXTERIOR STYLING

	Icon	Design	Excel	Dynamic	Black Edition
Body-coloured shark-fin antenna	●	●	●	–	●
Gloss black shark-fin antenna	–	–	–	●	–
Shark-fin antenna	●	●	●	●	●
Roof antenna	●	●	●	●	●
Black front bumper	●	●	●	–	–
Gloss black front bumper	–	–	–	●	●
Black front under-run	–	–	–	–	●
Silver front under-run	●	●	●	●	–
Black rear bumper	●	●	●	–	–
Gloss black rear bumper	–	–	–	●	●
Black rear under-run	–	–	–	–	●
Silver rear under-run	●	●	●	●	–
Body-coloured door mirrors	●	●	●	–	●
Gloss black door mirrors	–	–	–	●	–
Body-coloured door handles	●	●	●	●	●
Chrome insert on door handles	–	–	●	–	–
Black painted upper front grill	–	–	–	–	●
Dark grey painted upper front grille	●	●	●	●	–
Meshed upper front grille	●	●	●	●	●
LED front light guide	●	●	●	●	●
LED rear light guide	●	●	●	●	●
Body-coloured rear spoiler	●	●	●	–	●
Gloss black rear spoiler	–	–	–	●	–
Gloss black roof	–	–	–	●	–
Gloss black wheel arch moulding	–	–	–	●	●
Privacy glass	●	●	●	●	●

## INTERIOR COMFORT

	Icon	Design	Excel	Dynamic	Black Edition
12V power socket - Boot	●	●	●	●	●
12V power socket - Front	–	–	●	●	●
12V power socket - Front x 2	●	●	–	–	–
Dual-zone automatic air conditioning	●	●	●	●	●
Assist grips - Front	●	●	●	●	●
Assist grips - Rear	●	●	●	●	●

● = Standard    ○ = Optional    – = Not available



# Equipment



INTERIOR COMFORT	Icon	Design	Excel	Dynamic	Black Edition
Automatic High Beam (AHB) on/off switch	●	●	●	●	●
Boot light	●	●	●	●	●
Child safety door lock	●	●	●	●	●
Clean air filter	●	●	●	●	●
Speed-detecting automatic door lock	●	●	●	●	●
Push-button start	●	●	●	●	●
Front footwell lights	●	●	●	●	●
Driver & front passenger personal lights	●	●	●	●	●
Central armrest	●	●	●	●	●
Heated driver & front passenger seats	—	—	●	●	●
Manually height-adjustable driver seat	●	●	—	—	—
Power-height-adjustable driver seat	—	—	●	●	●
Power-adjustable lumbar support on driver seat	—	—	●	●	●
Memory function on driver seat	—	—	●	—	—
Manually reclining driver seat	●	●	—	—	—
Power-reclining driver seat	—	—	●	●	●
Manually reclining front passenger seat	●	●	●	●	●
Manually sliding driver seat	●	●	—	—	—
Power-sliding driver seat	—	—	●	●	●
Manually sliding front passenger seat	●	●	●	●	●
Illuminated entry system	●	●	●	●	●
ECO-driving Indicator	●	●	●	●	●
Hybrid System Indicator	●	●	●	●	●
Electrochromatic auto-dimming rear view mirror	●	●	●	●	●
Coloured TFT information display	●	●	●	●	●
7" screen for multi-information display	●	●	●	●	●
Pollen air filter	●	●	●	●	●
Rear passenger air vents	●	●	●	●	●
Toyota Easy Flat system	●	●	●	●	●
60:40 split-folding rear seats	●	●	●	●	●
Reclining rear seats	●	●	●	●	●
Dynamic guide lines on reversing camera	●	●	●	●	●
Electric Power Steering (EPS)	●	●	●	●	●
Heated steering wheel	—	—	●	—	—
Manual telescopic steering wheel	●	●	●	●	●
Manual tilt steering wheel	●	●	●	●	●
Adjustable Speed Limiter (ASL) switch on steering wheel	●	●	●	●	●
Audio switches on steering wheel	●	●	●	●	●
Adaptive Cruise Control (ACC) switch on steering wheel	●	●	●	●	●
Lane Departure Alert (LDA) switch on steering wheel	●	●	●	●	●
Multimedia switches on steering wheel	●	●	●	●	●
Telephone switches on steering wheel	●	●	●	●	●
Voice recognition switch on steering wheel	●	●	●	●	●
Light on driver sun visor	●	●	●	●	●
Light on passenger sun visor	●	●	●	●	●
Mirror on driver sun visor	●	●	●	●	●
Mirror on passenger sun visor	●	●	●	●	●
Anti-jam protection on power windows	●	●	●	●	●
Front power windows	●	●	●	●	●
Auto up & down function on power windows	●	●	●	●	●
Rear window defogger	●	●	●	●	●
Rear power windows	●	●	●	●	●
Rear window wiper	●	●	●	●	●
Front wiper de-icer	—	—	●	—	—

● = Standard    ○ = Optional    — = Not available

# Equipment



INTERIOR STYLING	Icon	Design	Excel	Dynamic	Black Edition
Electronic parking brake	●	●	●	●	●
Black centre console	●	●	●	●	●
Blue ambient lighting on front cup holders	–	–	●	●	●
Blue ambient lighting on open tray	–	–	●	●	●
Black upper dashboard	●	●	●	●	●
Satin chrome interior door handles	●	●	●	●	●
Leather gear shift	●	●	●	●	●
Rear armrest	●	●	●	●	●
Black roof lining	–	–	–	●	●
Grey roof lining	●	●	●	–	–
3-spoke leather steering wheel	●	●	●	●	●

MULTIMEDIA	Icon	Design	Excel	Dynamic	Black Edition
Digital Audio Broadcast (DAB)+	●	●	●	●	●
JBL® Premium Sound System	–	–	○	○	●
Bluetooth® Connectivity	●	●	●	●	●
8" Multimedia screen	●	●	●	●	●
MyT Connected Services	●	●	●	●	●
Toyota Touch® 2 multimedia system	●	●	●	●	●
USB connector	●	●	●	●	●
6 speakers	●	●	●	●	–
9 speakers	–	–	○	○	●
Smartphone integration including Apple CarPlay™ & Android Auto™	●	●	●	●	●
Toyota Touch® 2 with Go navigation	–	●	●	●	●
Voice recognition	–	●	●	●	●

PERFORMANCE	Icon	Design	Excel	Dynamic	Black Edition
Dual exhaust pipes	●	●	●	●	●
Drive mode selector	●	●	●	●	●

PROTECTION	Icon	Design	Excel	Dynamic	Black Edition
Floor mats	●	●	●	●	●

SAFETY	Icon	Design	Excel	Dynamic	Black Edition
Front passenger airbag detector	●	●	●	●	●
Supplemental Restraint System (SRS) airbags - 7 airbags	●	●	●	●	●
Passenger airbag on/off-switch	●	●	●	●	●
Glass-breaking alarm sensors	●	●	●	●	●
Immobiliser	●	●	●	●	●
Intrusion Alarm	●	●	●	●	●
Motion sensor alarm	●	●	●	●	●
Tilt detection sensors	●	●	●	●	●
Blind Spot Monitor (BSM)	–	–	●	●	●
Brake Assist (BA)	●	●	●	●	●
Anti-lock Braking System (ABS) with Electronic Brake force Distribution (EBD)	●	●	●	●	●
Emergency Brake-light Signal (EBS)	●	●	●	●	●
LED high mounted stop light	●	●	●	●	●
LED rear brake lights	●	●	●	●	●
Full-range Adaptive Cruise Control	●	●	●	●	●
Indicators integrated on door mirrors	●	●	●	●	●
Driver Attention Alert	●	●	●	●	●

● = Standard    ○ = Optional    – = Not available

# Equipment



SAFETY	Icon	Design	Excel	Dynamic	Black Edition
eCall emergency call system	●	●	●	●	●
Front parking sensors	–	●	●	●	–
Intelligent Front parking sensors with clearance sonar & automatic braking	–	–	–	–	●
Automatic High Beam (AHB)	●	●	●	●	●
Headlight cleaners	–	–	●	–	–
LED daytime running lights	●	●	●	●	●
Front fog lights	●	●	●	●	●
LED dual-beam projector headlights	–	–	●	●	●
LED multi-reflector headlights	●	●	–	–	–
Automatic headlight levelling	●	●	●	●	●
Driver & front passenger Whiplash Injury Lessening (WIL) seats	●	●	●	●	●
Lane Departure Alert (LDA) with steering control	●	●	●	●	●
Lane Trace Assist	●	●	●	●	●
Panoramic View Monitor (PVM)	–	–	○	○	●
Pre-Collision System with Cyclist Detection and Day & Night-time Pedestrian Detection	●	●	●	●	●
LED rear combination lights	●	●	●	●	●
Rear Cross Traffic Alert (RCTA)	–	–	●	●	–
Rear Cross Traffic Alert with Brake Assist (RCTAB)	–	–	–	–	●
Intelligent rear parking sensors with clearance sonar & automatic braking	–	–	–	–	●
Rear parking sensors	●	●	●	●	–
ISOFIX child restraint system	●	●	●	●	●
Reversing camera	●	●	●	●	●
Road Sign Assist (RSA)	●	●	●	●	●
Front seat belt reminder	●	●	●	●	●
Rear seat belt reminder	●	●	●	●	●
Adjustable driver seat belt extender	●	●	●	●	●
Adjustable front passenger seat belt extender	●	●	●	●	●
Pre-tensioners and force limiters	●	●	●	●	●
Adjustable Speed Limiter (ASL)	●	●	●	●	●
Memory on speed limiter	●	●	●	●	●
Hill-start Assist Control (HAC)	●	●	●	●	●
Trailer Sway Control (TSC)	●	●	●	●	●
Tyre Pressure Warning System (TPWS)	●	●	●	●	●
Vehicle Stability Control (VSC)	●	●	●	●	●

TRANSPORT	Icon	Design	Excel	Dynamic	Black Edition
Dual-sided boot floor (carpet & plastic)	●	●	●	●	●
Retractable tonneau cover	●	●	●	●	●
Dual-level deckboard	●	●	●	●	●
Boot underfloor storage	–	–	●	●	●
Front bottle holders	●	●	●	●	●
Rear bottle holders	●	●	●	●	●
1.5 litre bottle holder	●	●	●	●	●
Coats hooks - 2 rear	●	●	●	●	●
Front cup holders	●	●	●	●	●
Open tray on passenger dashboard	●	●	●	●	●
Lockable glovebox	●	●	●	●	●
Rear console box	●	●	●	●	●
Rear cup holders	●	●	●	●	●
Black roof rails	●	●	●	●	●
Passenger-only seatback pocket	●	●	●	●	●
Sunglasses holder	●	●	●	●	–

● = Standard    ○ = Optional    – = Not available



# THE NEW RAV4. ALL SUV. ALL HYBRID. NO HALF MEASURES.

[www.toyota.co.uk/new-cars/rav4](http://www.toyota.co.uk/new-cars/rav4)

This Prices, Specifications and Equipment document should be read in conjunction with the RAV4 brochure (GBNGV-0120B-RV).

All passenger car prices shown are recommended retail and are applicable to vehicles sold for permanent use in the United Kingdom. List prices include VAT, delivery charge and number plate allowance. On the Road prices include 12 months' Vehicle Excise Duty and Vehicle First Registration Fee (currently £55). Please see your local Toyota Centre for further details on the full range of Vehicles and Optional Extras available. For full description and illustration of exterior colours and internal trims, please consult your local Toyota Centre.

**Quoted mpg and CO<sub>2</sub>:** Figures are provided for comparability purposes; only compare fuel consumption and CO<sub>2</sub> figures with other cars tested to the same technical procedures. These figures may not reflect real-life driving results. Fuel consumption and CO<sub>2</sub> produced varies significantly depending on a number of factors, including the accessories fitted (post-registration), driving style, conditions, speed and vehicle load.

All models and grades are certified according to the World Harmonised Light Vehicle Test Procedure (WLTP). All mpg and CO<sub>2</sub> figures quoted are full WLTP figures.

The official CO<sub>2</sub> figures for vehicles changed as from 1 April 2020, due to a change in the official method of calculation. CO<sub>2</sub> figures are used in the calculation of Vehicle Excise Duty (car tax) for new cars during their first year of registration. As a result, all CO<sub>2</sub> figures, car tax and 'on the road' prices for new vehicles, which were provided or displayed prior to 1 April 2020, may now have changed for vehicles which were not registered before that date. These dates may change, please visit [www.vehicle-certification-agency.gov.uk/fcb/wltp.asp](http://www.vehicle-certification-agency.gov.uk/fcb/wltp.asp) for the latest information.

Please contact your local Toyota Centre for further information.

**5 Year Toyota warranty disclaimer:** 5 years or 100,000 miles from new whichever comes first, with no mileage limitations for the first year. This warranty covers any mechanical fault caused by a manufacturing defect only.

Whilst every effort is made to reproduce accurate information, we reserve the right to change specifications, equipment and availability without prior notice. This price list cannot be regarded as infallible, and as such does not constitute an offer for sale of any particular vehicle or specification. For the latest specifications and availability we ask that you contact your local Toyota Centre. For more information on any other Toyota models and the location of your nearest Toyota Centre, simply call: **0344 701 6201\*** (calls to Toyota may be monitored or recorded) or visit: [www.toyota.co.uk](http://www.toyota.co.uk)

The use of the term 'Toyota Accessories' should not be taken to imply that the products on the accessory pages are actually manufactured by the Toyota Motor Corporation or Toyota (GB) PLC. Toyota (GB) PLC is continually updating and changing specifications of accessories and reserves the right to do so any time without prior notice.

©2020 by Toyota Motor Europe NV/SA ('TME'). No part of this publication may in any way be reproduced without prior written approval of TGB.

\* Calls to this number cost the same as calling an 01 or 02 number. Where calls to 01 or 02 numbers are part of any 'inclusive' minutes (on mobile or landline), calls to this number will also be included.

Toyota (GB) PLC, Great Burgh, Burgh Heath, Epsom, Surrey KT18 5UX



Toyota UK



@ToyotaGB

November 2020