

# RAV4

Prices, Specifications and Equipment  
June 2019



**TOYOTA**

ALWAYS A  
**BETTER** WAY



# Prices



## 2019 RAV4

						CO <sub>2</sub> Emissions <sup>^</sup> g/km	VED Band g/km	VED*	BIK <sup>§</sup>	Basic	VAT <sup>°</sup>	Delivery & No. Plates	List**	On the Road <sup>§§</sup>
<b>Icon</b>	5-door FWD	Hybrid Petrol	2.5 VVT-i	218 DIN hp	Auto	102	101-110	£140	24%	£24,182.50	£4,836.50	£726.00	£29,745.00	£29,940.00
<b>Design</b>	5-door FWD	Hybrid Petrol	2.5 VVT-i	218 DIN hp	Auto	105	101-110	£140	25%	£25,478.33	£5,095.67	£726.00	£31,300.00	£31,495.00
<b>Design</b>	5-door AWD	Hybrid Petrol	2.5 VVT-i	222 DIN hp	Auto	101	101-110	£140	24%	£27,345.00	£5,469.00	£726.00	£33,540.00	£33,735.00
<b>Excel</b>	5-door FWD	Hybrid Petrol	2.5 VVT-i	218 DIN hp	Auto	105	101-110	£140	25%	£27,495.00	£5,499.00	£726.00	£33,720.00	£33,915.00
<b>Excel</b>	5-door AWD	Hybrid Petrol	2.5 VVT-i	222 DIN hp	Auto	103	101-110	£140	24%	£29,361.67	£5,872.33	£726.00	£35,960.00	£36,155.00
<b>Dynamic</b>	5-door FWD	Hybrid Petrol	2.5 VVT-i	218 DIN hp	Auto	105	101-110	£140	25%	£28,153.33	£5,630.67	£726.00	£34,510.00	£34,705.00
<b>Dynamic</b>	5-door AWD	Hybrid Petrol	2.5 VVT-i	222 DIN hp	Auto	101	101-110	£140	24%	£30,020.00	£6,004.00	£726.00	£36,750.00	£36,945.00

AWD – All Wheel Drive FWD – Front Wheel Drive

<sup>^</sup> All CO<sub>2</sub> emissions figures stated in this brochure are sourced from official EU regulated tests. These are provided for comparability purposes and may not reflect your actual driving experience.

\* VED – First year Vehicle Excise Duty. <sup>§</sup> BIK – Benefit in kind company car tax. <sup>°</sup> VAT – At prevailing rate, currently 20%. \*\* List price for VED renewal purposes comprises: cost of the vehicle including £700 delivery charge & £26 number plate allowance (all inclusive of VAT). <sup>§§</sup> On the Road price comprises: List price plus 12 months' Vehicle Excise Duty (banding based on CO<sub>2</sub> for Year 1 @ 1st April 2019) & £55 vehicle first registration fee.

### OPTION PRICES

#### Factory options

	Icon	Design	Excel	Dynamic	Exc VAT	VAT	Inc VAT
Toyota Skyview <sup>®</sup> panoramic roof	–	–	○	○	£716.67	£143.33	£860.00
JBL Premium sound system & Panoramic View Monitor (PVM)	–	–	○	○	£654.17	£130.83	£785.00
Premium Pack – Toyota Skyview <sup>®</sup> panoramic roof, JBL + PVM	–	–	○	○	£1,370.83	£274.17	£1,645.00
Pure White paint	○	○	○	–	£208.33	£41.67	£250.00
Metallic paint	○	○	○	●	£454.17	£90.83	£545.00
Pearlescent paint	○	○	○	–	£662.50	£132.50	£795.00
Pearlescent paint on Dynamic Grade only	–	–	–	○	£208.33	£41.67	£250.00

### CUSTOMISATION

#### Factory options

	Icon	Design	Excel	Dynamic	Exc VAT	VAT	Inc VAT
Protection Pack – scuff plates, mudflaps, rear bumper plate, bootliner & rubber floor mats	○	○	○	○	£458.33	£91.67	£550.00
Side steps: black side steps with chrome detail	○	○	○	○	£500.00	£100.00	£600.00
Toyota Touch <sup>®</sup> 2 with Go: navigation system including 3D maps & voice control	○	●	●	●	£625.00	£125.00	£750.00
18" alloys: gloss silver	–	○	○	○	£520.83	£104.17	£625.00
18" alloys: gloss black	–	○	○	○	£541.67	£108.33	£650.00
18" alloys: gloss black machined-face	–	○	○	○	£562.50	£112.50	£675.00
Tablet holders: single tablet holder	○	○	○	○	£58.33	£11.67	£70.00
Tablet holders: double tablet holder	○	○	○	○	£100.00	£20.00	£120.00
Style Pack – chrome side sills, rear chrome garnish & black side steps with chrome detail	○	○	○	○	£791.67	£158.33	£950.00
Towing Solutions: fixed 7-pin & 13-pin	○	○	○	○	£416.67	£83.33	£500.00
Towing Solutions: detachable 7-pin & 13-pin	○	○	○	○	£541.67	£108.33	£650.00

● = Standard ○ = Option – = Not available

# Grades



## ICON



### MAIN FEATURES

- 17" silver alloy wheels (5-spoke)
- Toyota Safety Sense inc. Pre-Collision System with Cyclist Detection, Night-time Pedestrian Detection, Full-range Adaptive Cruise Control, Intelligent Adaptive Cruise Control and Lane Trace Assist
- 8" touchscreen with Toyota Touch® 2 media system with 6 speakers, DAB and Bluetooth®, reversing camera and rear parking sensors
- Black roof rails
- Dual-zone automatic air conditioning
- Push-button start
- LED automatic headlights
- Black fabric seats
- Electronic parking brake
- Heated, auto-retractable door mirrors
- Rear privacy glass
- E-call

### OPTIONAL FEATURES

- Toyota Touch® 2 with Go navigation
- Protection Pack
- Style Pack
- Towing Solutions
- Side steps



## DESIGN



### MAIN FEATURES (ADDITIONAL TO ICON)

- 18" silver alloy wheels (5-spoke)
- Toyota Touch® 2 with Go navigation
- Front parking sensors
- Smart entry
- Power back door

### OPTIONAL FEATURES

- Protection Pack
- Style Pack
- Towing Solutions
- Side steps



# Grades



## EXCEL



### MAIN FEATURES (ADDITIONAL TO DESIGN)

---

Full leather interior, with heated front seats and power-sliding, height-adjustable driver's seat with lumbar support and memory function

---

Ambient lighting in cup holder and centre console tray areas

---

Blind Spot Monitor (BSM)

---

Rear Cross Traffic Alert (RCTA)

---

Puddle lights on door mirrors

---

Projector LED headlights

---

Heated steering wheel and windscreen wiper de-icer

---

Headlight cleaner

### OPTIONAL FEATURES

---

Toyota Skyview® panoramic roof

---

JBL Premium sound system with Panoramic View Monitor (PVM)

---

Protection Pack

---

Style Pack

---

Towing Solutions

---

Side steps



## DYNAMIC



### MAIN FEATURES (ADDITIONAL TO DESIGN)

---

18" black painted alloy wheels (5-spoke)

---

Black bi-tone roof, rear spoiler, antenna and door mirrors

---

Gloss black wheel arches and front and rear bumpers

---

Dynamic sports, heated front seats and power-sliding, height-adjustable driver's seat with lumbar support

---

Ambient lighting in cup holder and centre console tray areas

---

Blind Spot Monitor (BSM)

---

Rear Cross Traffic Alert (RCTA)

---

Puddle lights on door mirrors

---

Projector LED headlights

### OPTIONAL FEATURES

---

Toyota Skyview® panoramic roof

---

JBL Premium sound system with Panoramic View Monitor (PVM)

---

Protection Pack

---

Style Pack

---

Towing Solutions

---

Side steps



# Specifications



<b>ENVIRONMENTAL PERFORMANCE</b>	2.5 Petrol Hybrid Automatic 2WD	2.5 Petrol Hybrid Automatic AWD-i
Fuel economy – combined max WLTP (mpg)	48.7–50.4	47.8–48.7
Fuel grade – recommended	91 or more (octane)	91 or more (octane)
Fuel tank capacity (l)	55	55
CO <sub>2</sub> (NEDC equivalent) Combined (g/km)	102 / 105	101 / 103
Euro class	EURO 6 AG	EURO 6 DG
Carbon Monoxide, CO (mg/km)	155.4	169.2
Hydrocarbons, THC (mg/km)	25.0	17.3
Hydrocarbons, NMHC (mg/km)	21.4	14.3
Nitrogen Oxides, NO <sub>x</sub> (mg/km)	2.1	2.8
Sound Level Drive by (dB(A))	70	69

Figures are provided for comparative purposes; only compare fuel consumption and CO<sub>2</sub> figures with other cars tested to the same technical procedures. These figures may not reflect real life driving results.

All models and grades are certified according to the World Harmonised Light Vehicle Test Procedure (WLTP), which replaces the New European Driving Cycle test procedure (NEDC).

All CO<sub>2</sub> figures quoted are NEDC equivalent. All mpg figures quoted are WLTP figures.

<b>ENGINE</b>	2.5 Petrol Hybrid Automatic 2WD	2.5 Petrol Hybrid Automatic AWD-i
Engine code	A25A-FXS	A25A-FXS
Number of cylinders	4, in line	4, in line
Valve mechanism	16-valve DOHC, VVT-iE (intake), VVT-i (exhaust)	16-valve DOHC, VVT-iE (intake), VVT-i (exhaust)
Fuel injection system	Fuel injection	Fuel injection
Displacement (cc)	2487	2487
Bore x stroke (mm x mm)	87.50 x 103.48	87.50 x 103.48
Compression ratio	14.0:1	14.0:1
Maximum output (kW@rpm)	160 / 163	160 / 163
Maximum output (DIN hp)	218 / 222	218 / 222
Maximum torque (Nm@rpm)	221/3600–5200	221/3600–5200
Electric front motor: type	Permanent magnet synchronous motor	Permanent magnet synchronous motor
Electric front motor: maximum output (kW)	48.0	48.0
Electric front motor: maximum torque (Nm)	121.0	121.0
Hybrid vehicle battery: type	Nickel metal hydride battery	Nickel metal hydride battery
Hybrid vehicle battery: number of modules	34	34
Hybrid vehicle battery: capacity Ah (hr)	6.5	6.5

<b>TRANSMISSION</b>	2.5 Petrol Hybrid Automatic 2WD	2.5 Petrol Hybrid Automatic AWD-i
Transmission type	Automatic	Automatic

<b>PERFORMANCE</b>	2.5 Petrol Hybrid Automatic 2WD	2.5 Petrol Hybrid Automatic AWD-i
Maximum speed (mph)	111	111
Acceleration 0–62 mph (secs)	8.4	8.1
Drag coefficient	0.32	0.32

<b>WEIGHTS &amp; TOWING CAPACITY</b>	Sports Utility Vehicle
Gross vehicle weight – total (kg)	2130 / 2215
Towing capacity with brakes (kg)	800 / 1650
Towing capacity without brakes (kg)	750

<b>SUSPENSION</b>	Sports Utility Vehicle
Front	MacPherson strut
Rear	Double wishbone

<b>BRAKES</b>	Sports Utility Vehicle
Front	Ventilated disc 2-cylinder
Rear	Ventilated disc 1-cylinder

<b>INTERIOR DIMENSIONS &amp; LOAD VOLUME</b>	Sports Utility Vehicle
Number of seats	5
Luggage capacity, laden to roof (l)	733
Luggage capacity, rear seats down, laden to roof (l)	1690
Luggage capacity, 5 seat mode, laden to parcel shelf (l)	580
Luggage capacity, 2 seat mode, laden to parcel shelf (l)	1189
Interior length (mm)	1890
Interior width (mm)	1515
Interior height (mm)	1230
Boot capacity, length (mm)	1015
Boot capacity, max width (mm)	1499

<b>EXTERIOR DIMENSIONS</b>	Sports Utility Vehicle
Exterior length (mm)	4600
Exterior width (mm)	1855
Exterior height (mm)	1685
Front tread (mm)	1610
Rear tread (mm)	1640
Front overhang (mm)	910
Rear overhang (mm)	1000
Wheelbase (mm)	2690

<b>STEERING</b>	Sports Utility Vehicle
Turning radius – tyre (m)	5.5

<b>OFF ROAD</b>	Sports Utility Vehicle
Min. running ground clearance (mm)	190
Departure angle (°)	20
Ramp break-over angle (°)	15.5
Limit angle of vehicle turnover (°)	52
Climbing angle (°)	18
Wading depth (mm)	500

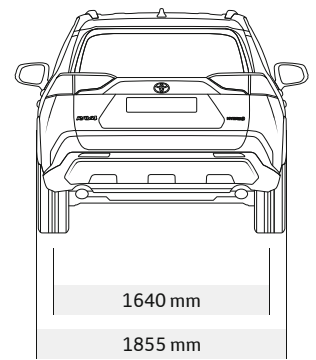
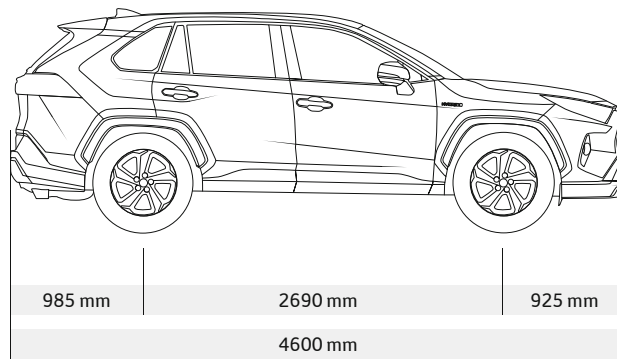
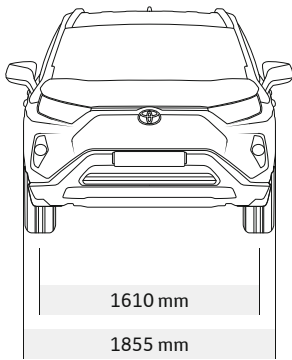
# Specifications



## ALLOY WHEELS

	Icon	Design	Excel	Dynamic
Temporary spare alloy wheel	●	●	●	●
Tyre repair kit (with optional Toyota Skyview® panoramic roof)	—	—	○	○
17" silver alloy wheels (5-spoke)	●	—	—	—
18" silver alloy wheels (5-spoke)	—	●	●	—
18" black painted alloy wheels (5-spoke)	—	—	—	●
18" alloy wheels: choice of gloss silver, gloss black or gloss black machined-face	—	○	○	○

● = Standard    ○ = Option    — = Not available



# Equipment



## EXTERIOR STYLING

	Icon	Design	Excel	Dynamic
LED front and rear light guides	●	●	●	●
Black surrounds on front fog lights	●	●	●	—
Gloss black surrounds on front fog lights	—	—	—	●
Body-coloured door mirrors	●	●	●	—
Gloss black door mirrors	—	—	—	●
Black front and rear bumpers	●	●	●	—
Gloss black front and rear bumpers	—	—	—	●
Black roof rails	●	●	●	●
Body-coloured roof	●	●	●	—
Gloss black roof	—	—	—	●
Body-coloured shark-fin antenna	●	●	●	—
Gloss black shark-fin antenna	—	—	—	●
Meshed upper front grille	●	●	●	●
Dark grey painted upper front grille	●	●	●	●
Body-coloured rear spoiler	●	●	●	—
Gloss black rear spoiler	—	—	—	●
Black wheel arch moulding	●	●	●	—
Gloss black wheel arch moulding	—	—	—	●
Body-coloured door handles	●	●	●	●
Chrome insert on door handles	—	—	●	—
Gloss black front pillar design	—	—	—	●
Silver front and rear under-runs	●	●	●	●
Silver insert on boot door	●	●	●	●
Privacy glass	●	●	●	●

## EXTERIOR COMFORT

	Icon	Design	Excel	Dynamic
LED automatic headlights	●	●	●	●
Follow-me-home headlights	●	●	●	●
Smart Entry	—	●	●	●
Heated, auto retractable door mirrors	●	●	●	●
Puddle lights on door mirrors	—	—	●	●
Automatic wipers	●	●	●	●
Power back door	—	●	●	●
Remote boot door release on key	●	●	●	●
Toyota Skyview® panoramic roof	—	—	○	○

## INTERIOR STYLING

	Icon	Design	Excel	Dynamic
3-spoke leather steering wheel	●	●	●	●
Leather gear shift	●	●	●	●
Electronic parking brake	●	●	●	●
Soft-touch textured dashboard	●	●	●	●
Light Blue ambient lighting on open tray and front cup holders	—	—	●	●
Grey roof lining	●	●	●	—
Black roof lining	—	—	—	●
Soft-touch door trims	●	●	●	●
Rear armrest	●	●	●	●

● = Standard    ○ = Optional    — = Not available



# Equipment



## INTERIOR COMFORT

	Icon	Design	Excel	Dynamic
Push-button start	●	●	●	●
7" coloured multi-information display	●	●	●	●
Electrochromatic rear-view mirror	●	●	●	●
Dual-zone automatic air conditioning	●	●	●	●
Analogue tachometer	●	●	●	●
12V front and boot power outlet	●	●	●	●
Boot light	●	●	●	●
Child safety door lock	●	●	●	●
Speed-detecting automatic door lock	●	●	●	●
Front windscreen wiper de-icer	—	—	●	—
Heated steering wheel	—	—	●	—
Manually height-adjustable driver seat	●	●	—	—
Power height-adjustable driver seat	—	—	●	●
Heated driver and front passenger seats	—	—	●	●
Power height adjustable, sliding and reclining driver seat	—	—	—	●
Power height adjustable, sliding and reclining driver seat with memory function	—	—	●	—
Power adjustable lumbar support on driver seat	—	—	●	●
60:40 split-folding rear seats	●	●	●	●
Reclining, fold flat rear seats	●	●	●	●
Audio, multimedia and telephone switches on steering wheel	●	●	●	●
Adaptive Cruise Control (ACC) switch on steering wheel	●	●	●	●
Adjustable Speed Limiter (ASL) switch on steering wheel	●	●	●	●
Lane Departure Alert switch on steering wheel	●	●	●	●
Rear passenger air vents	●	●	●	●

## STORAGE

	Icon	Design	Excel	Dynamic
Front and rear cup holders	●	●	●	●
Lockable glovebox	●	●	●	●
Sunglasses holder	●	●	●	●
Rear console box	●	●	●	●
Passenger-only seatback pocket	●	●	●	●
Front and rear bottle holders	●	●	●	●
Rear passenger coat hooks (2)	●	●	●	●
Retractable tonneau cover	●	●	●	●
Boot underfloor storage (with optional Toyota Skyview® panoramic roof)	—	—	○	○
Dual-sided boot floor (carpet and plastic)	●	●	●	●

## MULTIMEDIA

	Icon	Design	Excel	Dynamic
8" multimedia touch screen	●	●	●	●
Digital Audio Broadcast (DAB)+	●	●	●	●
Aux-in and USB connector	●	●	●	●
Bluetooth® connectivity	●	●	●	●
Toyota Touch® 2 multimedia system	●	●	●	●
Voice recognition	—	●	●	●
6 speakers	●	●	●	●
JBL Premium sound system	—	—	○	○
9 speakers (with optional JBL Premium sound system)	—	—	○	○
Toyota Touch® 2 with Go navigation	○	●	●	●

● = Standard    ○ = Optional    — = Not available



# Equipment



## SAFETY

	Icon	Design	Excel	Dynamic
Toyota Safety Sense inc Pre-Collision System with Cyclist Detection, Night-time Pedestrian Detection, Full-range Adaptive Cruise Control, Intelligent Adaptive Cruise Control and Lane Trace Assist	●	●	●	●
Anti-lock Braking System (ABS) with Electronic Brake force Distribution (EBD)	●	●	●	●
Emergency Brake-light Signal (EBS)	●	●	●	●
Automatic Headlight Levelling	●	●	●	●
Alarm with tilt and motion sensors and immobiliser	●	●	●	●
Vehicle Stability Control (VSC)	●	●	●	●
Blind Spot Monitor (BSM)	–	–	●	●
Brake Assist (BA)	●	●	●	●
Front parking sensors	–	●	●	●
Rear parking sensors	●	●	●	●
Reversing camera	●	●	●	●
Adjustable Speed Limiter (ASL) with memory function	●	●	●	●
Road Sign Assist	●	●	●	●
Rear Cross Traffic Alert (RCTA)	–	–	●	●
Hill-start Assist Control (HAC)	●	●	●	●
LED daytime running lights	●	●	●	●
LED rear combination lights	●	●	●	●
Headlight cleaners	–	–	●	–
LED multi-reflector headlights	●	●	–	–
LED dual-beam projector headlights	–	–	●	●
LED high-mounted stop light	●	●	●	●
LED rear brake lights	●	●	●	●
Tyre Pressure Warning System (TPWS)	●	●	●	●
Trailer Sway Control (TSC)	●	●	●	●
Panoramic View Monitor (PVM) (with optional JBL Premium surround system)	–	–	○	○
eCall emergency call system	●	●	●	●
Front fog lights	●	●	●	●
Automatic High Beam (AHB)	●	●	●	●
ISOFIX seat fixing	●	●	●	●
Front passenger airbag on/off switch	●	●	●	●

## PACKS

	Icon	Design	Excel	Dynamic
Toyota Skyview® panoramic roof	–	–	○	○
JBL Premium sound system with Panoramic View Monitor (PVM)	–	–	○	○
Premium Pack – Toyota Skyview® panoramic roof, JBL Premium sound system with Panoramic View Monitor (PVM)	–	–	○	○
Parking Pack – front parking sensors	○	●	●	●
Toyota Touch® 2 with Go navigation system inc 3D maps & voice control	○	●	●	●
Style Pack – chrome side sills, rear chrome garnish & black side steps with chrome detail	○	○	○	○
Protection Pack – scuff plates, mudflaps, rear bumper plate, bootliner & rubber floor mats	○	○	○	○
Towing Solutions: fixed 7-pin & 13-pin	○	○	○	○
Towing Solutions: detachable 7-pin & 13-pin	○	○	○	○
Side steps: black with chrome detail	○	○	○	○

● = Standard    ○ = Optional    – = Not available



**TOYOTA**

ALWAYS A  
**BETTER WAY**



THE ALL NEW RAV4.  
**ALL SUV. ALL HYBRID.  
NO HALF MEASURES.**

[www.toyota.co.uk/new-cars/rav4](http://www.toyota.co.uk/new-cars/rav4)

This Prices, Specifications and Equipment document should be read in conjunction with the RAV4 brochure (GBNGV-0519B-RV).

All passenger car prices shown are recommended retail and are applicable to vehicles sold for permanent use in the United Kingdom. List prices include VAT, delivery charge and number plate allowance. On the Road prices include 12 months' Vehicle Excise Duty and Vehicle First Registration Fee (currently £55). Please see your local Toyota Centre for further details on the full range of Vehicles and Optional Extras available. For full description and illustration of exterior colours and internal trims, please consult your local Toyota Centre.

Figures are provided for comparability purposes; only compare fuel consumption and CO<sub>2</sub> figures with other cars tested to the same technical procedures. These figures may not reflect real-life driving results. Fuel consumption and CO<sub>2</sub> produced varies significantly depending on a number of factors, including the accessories fitted (post-registration), driving style, conditions, speed and vehicle load.

All models and grades are certified according to the World Harmonised Light Vehicle Test Procedure (WLTP), which replaces the New European Driving Cycle test procedure (NEDC).

All CO<sub>2</sub> figures quoted are NEDC equivalent. This means the CO<sub>2</sub> figures are based on the new WLTP test procedure but calculated (using a standard European calculation method) to allow comparison with the NEDC test procedure and will be used to calculate vehicle tax on first registration. All mpg figures quoted are full WLTP figures. More information can be found by visiting: [www.vehicle-certification-agency.gov.uk/fcb/wltp.asp](http://www.vehicle-certification-agency.gov.uk/fcb/wltp.asp).

**5 Year Toyota warranty disclaimer:** 5 years or 100,000 miles from new whichever comes first, with no mileage limitations for the first year. This warranty covers any mechanical fault caused by a manufacturing defect only.

Whilst every effort is made to reproduce accurate information, we reserve the right to change specifications, equipment and availability without prior notice. This price list cannot be regarded as infallible, and as such does not constitute an offer for sale of any particular vehicle or specification. For the latest specifications and availability we ask that you contact your local Toyota Centre. For more information on any other Toyota models and the location of your nearest Toyota Centre, simply call: **0344 701 6201\*** (calls to Toyota may be monitored or recorded) or visit: [www.toyota.co.uk](http://www.toyota.co.uk)

The use of the term 'Toyota Accessories' should not be taken to imply that the products on the accessory pages are actually manufactured by the Toyota Motor Corporation or Toyota (GB) PLC. Toyota (GB) PLC is continually updating and changing specifications of accessories and reserves the right to do so any time without prior notice.

©2019 by Toyota Motor Europe NV/SA ('TME'). No part of this publication may in any way be reproduced without prior written approval of TGB.

\* Calls to this number cost the same as calling an 01 or 02 number. Where calls to 01 or 02 numbers are part of any 'inclusive' minutes (on mobile or landline), calls to this number will also be included.

Toyota (GB) PLC, Great Burgh, Burgh Heath, Epsom, Surrey KT18 5UX



Toyota UK



@ToyotaGB

June 2019